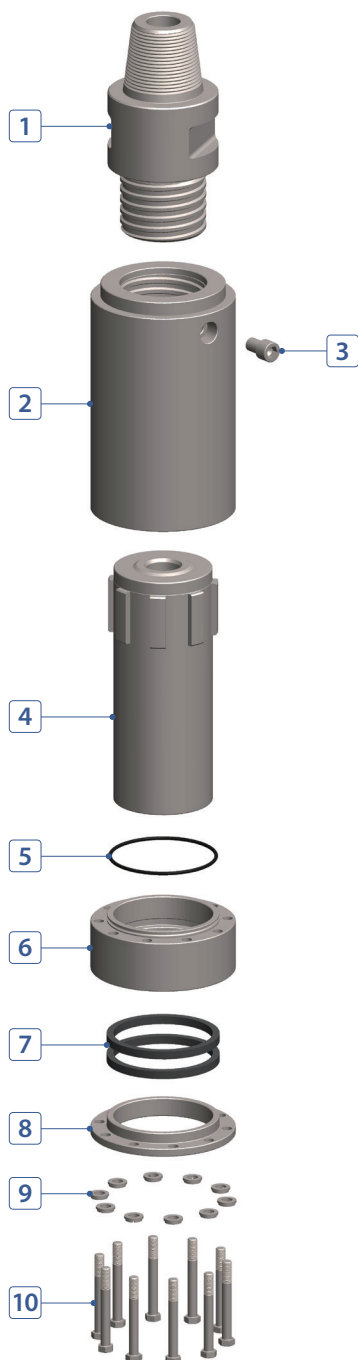


SHOCK ABSORBER

ROTARY TYPE - 8 INCH



COMPONENT PART

No.	DESCRIPTION	Q'TY	PART #
1	Upper Adapter	1	S080-08-C01DRB
2	Tube	1	S080-08-C04000
3	Tube Range Bolt	1	S080-08-C25000
4	Shaft	1	S080-08-C15DRP
5	Flange01 O-ring	1	S080-08-C27000
6	Flange01	1	S080-08-C26000
7	Flange Seal	2	S080-08-C28000
8	Flange02	1	S080-08-C29000
9	Washer	10	S080-08-C30000
10	Hex bolt	10	S080-08-C31000

SHOCK ABSORBER SPECIFICATIONS

Length	29.9"	760 mm
Outside Diameter	7.8"	198 mm
Weight	286 lbs.	130 kg
Connection	Std. 4-1/2" API Reg	